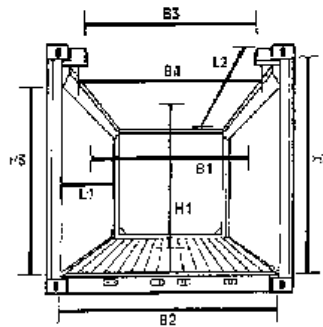


Picture- 1:  
Standard container



Picture- 2 :  
Open-Top container

20 Foot Standard Container					
20ft x 8ft x 8ft 6in / 6.1m x 2.4m x 2.6m (Picture - 1)					
Average Interior Dimensions			Door Dimensions		Cubic Capacity Average
L1	B1	H1	B2	H2	
5,890 mm	2,345 mm	2,400 mm	2,335 mm	2,290 mm	33.3
Tare weights vary between 1,800kg and 2,500kg.					
Maximum carrying capacity is between gross 22,860kg - 30,480 kg.					
40 Foot Standard Container					
40ft x 8ft x 8ft 6in / 12.2m x 2.4m x 2.6m (Picture - 1)					
Average Interior Dimensions			Door Dimensions		Cubic Capacity Average
L1	B1	H1	B2	H2	
12,015 mm	2,345 mm	2,362 mm	2,335 mm	2,260 mm	66.9
Tare weights vary between 3,700kg and 4,380kg.					
Maximum carrying capacity is gross 30,480 kg.					

40 Foot High Cube Container									
40ft x 8ft x 9ft 6in / 12.2m x 2.4m x 2.9m (Picture - 1)									
Average Interior Dimensions			Door Dimensions		Cubic Capacity Average				
L1	B1	H1	B2	H2					
12,015 mm	2,345 mm	2,690 mm	2,335 mm	2,580 mm	76.0				
Tare weight is 3,980kg.									
Maximum carrying capacity is gross 30,480 kg.									
20 Foot Open-Top Container									
20ft x 8ft x 8ft 6in / 6.1m x 2.4m x 2.6m (Picture - 2)									
Average Interior Dimensions			Door Dimensions		Roof Aperture		Height at sides H3	Width B3	Cubic Capacity Average
L1	B1	H1	B2	H2	L2	B4			
5,890 mm	2,345 mm	2,340 mm	2,335 mm	2,260 mm	5,712 mm	2,175 mm	1,974 mm	1,840 mm	32.4
Tare weights vary between 2,093kg and 2,513kg.									
Maximum carrying capacity is between gross 24,000kg - 30,480 kg.									
40 Foot Open-Top Container									
40ft x 8ft x 8ft 6in / 12.2m x 2.4m x 2.6m (Picture - 2)									
Average Interior Dimensions			Door Dimensions		Roof Aperture		Height at sides H3	Width B3	Cubic Capacity Average
L1	B1	H1	B2	H2	L2	B4			
12,025 mm	2,345 mm	2,305 mm	2,335 mm	2,230 mm	11,832 mm	2,175 mm	1,950 mm	1,840 mm	64.5
Tare weights vary between 3,949kg and 4,650kg.									
Maximum carrying capacity is gross 30,480 kg.									